

XD 8

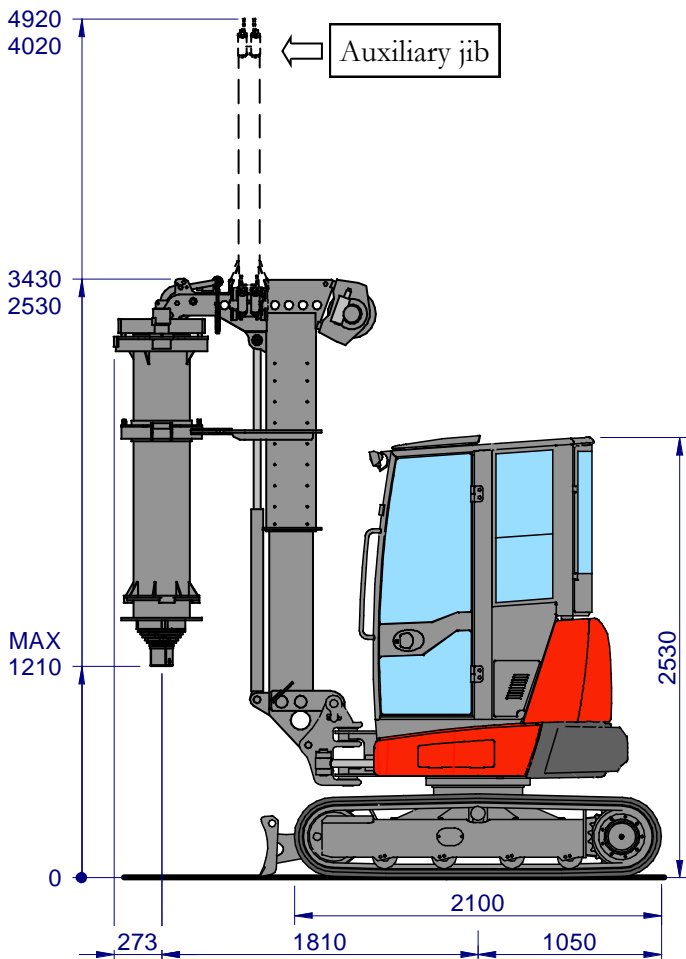


MINI PILING RIG

XD 8

The GEAX XD 8 is a patented piling rig designed to be fully reversible to the original excavator functions and the conversion time is very fast, about 30 min.
 The XD 8 is ideal for working in narrow and low headroom spaces such as inside existing buildings, its small size allows it to go and work where other machines can not.

- Powerful 1,5 litres diesel engine
- Quick coupling hydraulic hoses
- Telescopic mast
- 8 elements round interlocking telescopic kelly bar
- Minimum working height 2,8 m
- Mast automatic vertical alignment
- Automatic winch stop
- Solar panel piles fixture application



BASE		EUROCOMACH ES28ZT	
Engine		KUBOTA	D1503-M
Engine power		kW (hp)	24.9 (33.4)
Undercarriage length	mm		2100
Undercarriage width	mm		1550
Pumps	l/m		36+36+33
ROTARY			
Nominal torque	kNm		8
Drilling speed	rpm		20 - 40
WINCHES			
Main winch line pull	kN		15
Auxiliary winch line pull	kN		5
CROWD SYSTEM			
Pull down force	kN		25
Extraction force	kN		40
Stroke	mm		900
EXCAVATION			
Max pile diameter	mm		600
Max pile depth	m		12
Mast inclination 360°	deg		4
DIMENSIONS			
Total weight	kg		3800
Transport	m		W1,55/L3,133/H2,53
Min working height	m		2.8