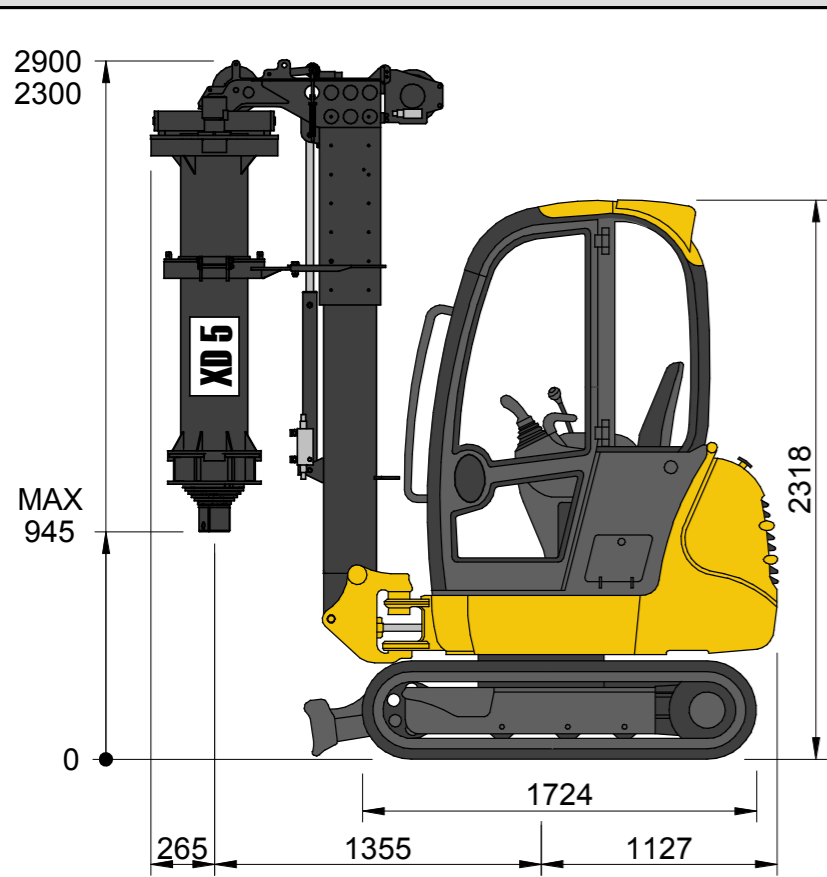


**XD 5**

The GEAX XD 5 is a patented piling rig attachment designed to be fully reversible to the original excavator functions and the conversion time is very fast, about 30 min. The XD 5 is ideal for working in narrow and low headroom spaces such as inside existing buildings, the 1m width allows it to pass through a normal door.

- Extendable tracks
- Powerful 1,13 litres diesel engine
- Quick coupling hydraulic hoses
- Telescopic mast
- 7 elements round interlocking telescopic kelly bar
- Minimum working height 2,6 m
- Mast automatic vertical alignment
- Automatic winch stop
- Solar panel piles fixture application



BASE		JCB 8020	
Engine	Perkins	403D-II	
Engine power	kW (hp)	14.7 (19.7)	
Undercarriage length	mm	1724	
Undercarriage width	mm	1002-1362	
Pumps	lpm	22x22x11.4	
ROTARY			
Nominal torque	kNm	6	
Drilling speed	rpm	23 - 46	
WINCH			
Winch line pull	kN	9	
CROWD SYSTEM			
Pull down force	kN	25	
Extraction force	kN	40	
Stroke	mm	600	
EXCAVATION			
Max pile diameter	mm	500	
Max pile depth	m	9.5	
Mast inclination 360°	deg	4	
DIMENSIONS			
Total weight	kg	2200	
Transport	m	W1/L2,75/H2,32	
Min working height	m	2.6	

**MINI PILING RIG**

# XD 5



**MINI PILING RIG**